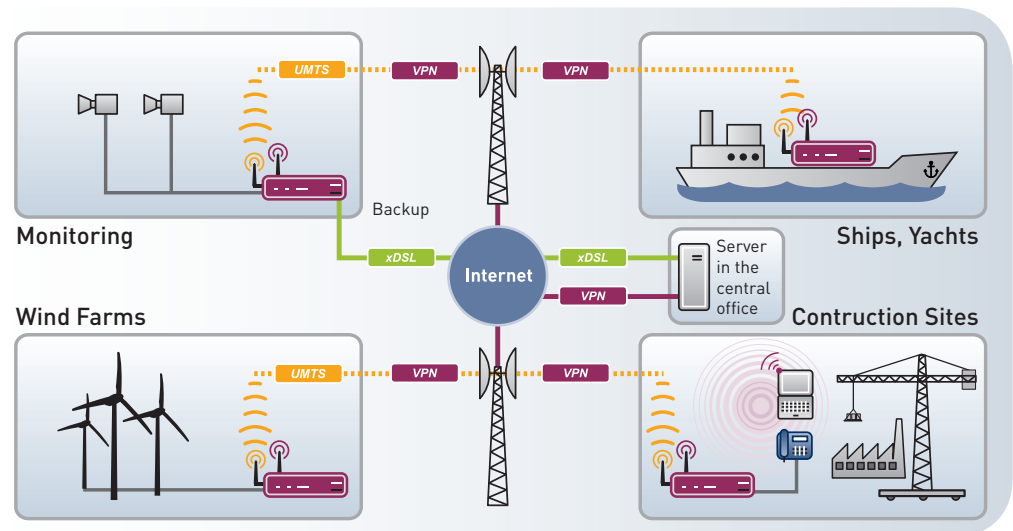


Application Sheet

Completely independent with R120wu

Time and time again there are situations in which locations cannot be connected to a central IT infrastructure or to the Internet, as there is no wired data network, e.g. in windparks. In part, ISDN or DSL connections may not be available. New lines are too expensive or simply impossible, as the locations regularly change - such as on construction sites or on ships. Also in the domain of surveillance with imaging systems, it may be generally useful, or in the case of interruption to the wire network media, to use new transmission technologies, such as UMTS, to be able to work completely independent of physical connection variants: mobile as well as stationary.



Flexible mobile access solutions

Benefits / Highlights:

- ▶ UMTS (HSxPA)
 - ▶ HSDPA with up to 7.2 Mbps
 - ▶ HSUPA with up to 2.0 Mbps
- ▶ WLAN according IEEE 802.11n (2.4/5 GHz) integration for mobile access at the installation site
- ▶ Inclusive 5 IPSec tunnels with hardware acceleration for establishment of VPNs
- ▶ Configuration Interface with integrated assistents
- ▶ Integrated stateful inspection firewall
- ▶ SIP Application Level Gateway
- ▶ Backup
 - ▶ xDSL primary line
 - ▶ UMTS connection as backup
- ▶ Remotely managable; reduces call-out costs and time
 - ▶ via SSH
 - ▶ via XAdmin also for large scale rollout

Solution:

The use of UMTS as a site-independent means of transmission has long since become established in modern companies. The charges for mobile data access using UMTS have also fallen drastically. With the R120wu, Teldat offers a flexible solution: from direct data exchange through to setting up entire VPN infrastructures.

The R120wu has an integrated UMTS modem for direct and primary connection setup or as the "last" backup for interrupted DSL connections. The connection of additional "internal" devices to R120wu can either be via WLAN (.11n) or via the integrated 4-port switch.

Application scenarios for R120wu include: windparks, construction site containers, mobile monitors and displays, transmission of image data from modern IP cameras in alarm systems, use on ships, back-up solutions, Internet access for very remote huts or vacation apartments, etc.

Application Sheet

Completely independent with R120wu

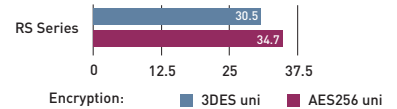
ROUTER:

bintec RS120wu

- ▶ The all-round talent with 11n WLAN and integrated UMTS modem
- ▶ Art. no. 5510000220
- ▶ 5 x Gigabit Ethernet
- ▶ WLAN according IEEE 802.11n (2.4/5 GHz)
- ▶ USB 2.0 Full Speed Host-Port
- ▶ Inclusive 5 IPSec tunnels with hardware acceleration
- ▶ Configuration Interface with integrated assistants
- ▶ Stateful Inspection Firewall
- ▶ SIP Application Level Gateway



IPSec data throughput in Mbps, packet size 1024 Byte

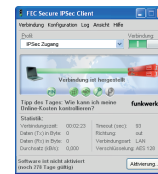


SOFTWARE:



XAdmin

- ▶ Installation on LAN server (Linux)
- ▶ Automated / event-controlled initial configuration and updates
- ▶ Inventory of existing and new target routers
- ▶ Application in ISDN and IP environments



IPSec Client

- ▶ Universal IPSec Client software
- ▶ High security level attained for the end device by means of the integrated firewall function
- ▶ Secure dial-in when used within public HotSpots

Software	XAdmin			IPSec Client		
	150 licenses	500 licenses	unlimited	1 license	5 licenses	10 licenses
Art. no.	80030	80033	80035	80511	80512	80513

ANTENNAS:

Active UMTS Antenna

- ▶ Active UMTS Antenna (Art. no. 5500001017)
- ▶ Gain: 7dBi
- ▶ UMTS Band Compenser* inside of antenna
- ▶ Passive GSM branch in the antenna
- ▶ Outdoor (IP54) and indoor
- ▶ Connection of the UMTS capable USB sticks via antenna coupling in a universal cradle



UMTS antenna for RS120wu

- ▶ ANT-Omni-3G-UMTS (Art. no. 5500000853)
- ▶ Omni-directional multi-band GSM-UMTS (3G)
- ▶ 860 – 960 MHz and 1710 – 2170 MHz
- ▶ 4.6 – 6,3 dBi gain (addicted to frequency)
- ▶ Outdoor and indoor
- ▶ 50 x 5,5 cm
- ▶ Incl. mounting kit and 5 m cable for outdoor usage



Home Compenser

- Send and receive signal booster
- ▶ Home Compenser (Art. no. 5500000852)
- ▶ Suits for GSM 900/1800 and UMTS
- ▶ Supported transfer modes: GPRS, HSCSD, EDGE; UMTS, HSDPA, HSUPA
- ▶ Maximum transmission power: GSM 900: 2 W (33 dBm) GSM 1800: 1 W (30 dBm) UMTS: 0,25 W (24 dBm)



SUPPLEMENTARY COMPONENTS:

packet alarm UTM series

Unified Threat Management systems to protect the entire LAN. packetalarm UTM identifies diverse attacks and threats in real-time and blocks hazards in a targeted manner.



Teldat GmbH
 Suedwestpark 94
 90449 Nuremberg, Germany
 Phone: +49 - 911 - 96 73-0
 Fax: +49 - 911 - 6 88 07 25
 e-mail: info@teldat.de
 Internet: www.teldat.de