

Fax server certification by :

GFIFAXmaker™

Visendo
by ppedv

C4B COM FOR BUSINESS

Tobit Software

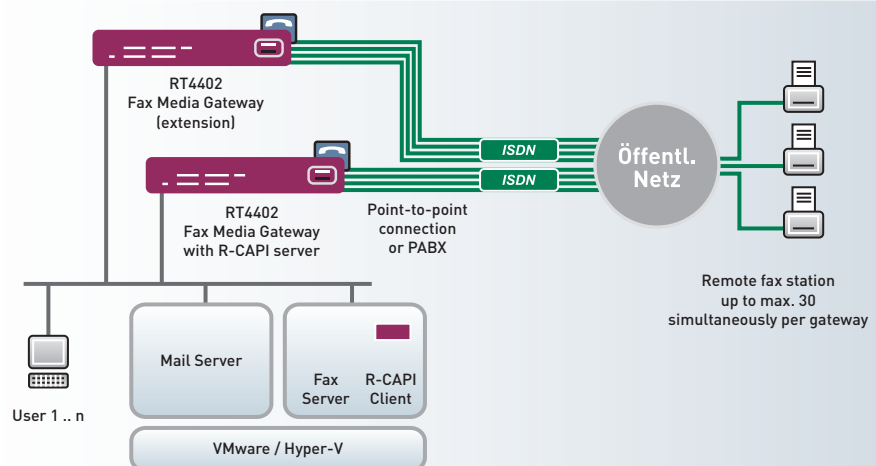
servonic

TWINFAX
by com2

Application Sheet

Fax Gateway for Central Fax Solutions

A server-based corporate e-mail system has since become a standard communication solution. From this server, e-mails can be called up from the workplace PC, laptop or also from the cell phone. Additional voice and fax communication can now also be integrated in this solution via central voice mail and fax servers. So employees have access to voice mails and faxes via their familiar e-mail system. Documentation, history and filing can be performed together with the e-mails and does not have to be managed separately. Fax and voice mail servers very often use ISDN plug-in modules based on the CAPI interface for this purpose. These modules also have disadvantages, however. Servicing or replacement of the plug-in modules is not possible during operation. A server defect necessitates manual replacement of the modules and possibly complete reinstallation of the associated drivers if the server hardware changes. Server virtualization, which is taking over everywhere, was previously not possible as no visualization platform supports ISDN plug-in modules.



Fax gateway with Remote CAPI

Benefits / Highlights:

- ▶ Fax gateway, media gateway and Internet access in one device
- ▶ Multi-device and multi-site CAPI
- ▶ Integration of T.30 and T.38
- ▶ Also works with visualized voice mail and fax servers
- ▶ External fax gateway for up to 30 channels
- ▶ Redundant fax solution
- ▶ Servicing work possible during operation
- ▶ Simple expansion
- ▶ Wide spectrum of basic functions and performance

Solution:

With media gateways of the RT series from Teldat you achieve flexibility and availability not attainable with ISDN cards. Using "Remote CAPI", the media gateways provide voice mail and fax servers with ISDN interfaces built into the media gateways on the LAN. Depending on the model, you have the choice of one to four ISDN and two PRI ISDN interfaces therefore up to a maximum of 64 channels simultaneously. The "Remote CAPI" is not a driver deeply rooted in the system, but a simple network application that can be installed without problems from a simple MS-Windows client through to a virtualized high-end server. However, the media gateways can not only be addressed by a fax server, but also from several servers simultaneously. If the existing channels are insufficient, other media gateways can be put into operation and switched in without interrupting the fax server. This means you can adapt the performance capacity during operation. In security-related environments, Teldat offers the possibility with the BRRP of expanding the solution redundantly while the routers are in use. Besides their tasks as fax switchboards, the media gateways can, of course, also manage all router tasks (Internet and VPN gateway) as usual.

Application Sheet

Fax Gateway for Central Fax Solutions



FAX MEDIA GATEWAYS:



bintec RT1202 / RT3002 / RT4202 / RT4402

Multimedia fax gateway and router in one device

- ▶ RT1202: The flexible media gateway
 - ▶ RT3002: The media gateway with ADSL 2+ modem for Annex A and B
 - ▶ RT4202: The media gateway with 4 x FXS internal
 - ▶ RT4402: Media Gateway with PRI
 - ▶ CAPI server virtualisation + fax G3
 - ▶ VoIP and fax over IP (T.38)
- ▶ 19-inch housing with integrated power supply
 - ▶ 10 (opt. up to 110) VPN tunnels with IPSec, PPTP, support of certificates
 - ▶ Hardware acceleration
 - ▶ Configuration Interface with integrated assistants
 - ▶ Stateful Inspection Firewall
 - ▶ SIP Application Level Gateway
 - ▶ Device redundancy with BRRP
 - ▶ Connection to RADIUS server
 - ▶ Variably applicable with Ethernet WAN (separable 4+1 port switch)

Fax Media Gateways	bintec RT1202	bintec RT3002	bintec RT4202	bintec RT4402
Art. no.	5510000228	5510000229	5510000231	5510000232
ISDN BRI and FXS	2 x BRI	4 x BRI	4 x BRI + 4 FXS internal	2 x BRI + 2 x PRI
DSP	4 channels	8 channels	12 channels	60 channels
Ethernet Switch	5 x Gigabit Ethernet	5 x Gigabit Ethernet	5 x Gigabit Ethernet	5 x Gigabit Ethernet
Fax over IP (T.38)	4	8	8 + 4	30 (opt.)
Fax G3 (T.30)	4	8	8	30 (opt.)

OPTIONS AND LICENSES:

Fax functionality extension

Licence to enable T.30/T.38 fax functionality of the DSP30 module for RT4402

- ▶ Name: RTxx02-S2M-FAX
- ▶ Art. no. 5500000784

SUPPLEMENTARY COMPONENTS:

Fax Server

The bintec fax gateways RT1202/RT3002/RT4202/RT4402 are certified for

- ▶ C4B COM FOR BUSINESS
- ▶ GFI Faxmaker
- ▶ Servonic Fax Server
- ▶ Tobit Fax Server David
- ▶ TWINFAX Fax Server (COM29)
- ▶ VIPcom Faxserver PAPAGENO
- ▶ Visendo (ppedv)



Teldat GmbH
 Suedwestpark 94
 90449 Nuremberg, Germany
 Phone: +49 - 911 - 96 73-0
 Fax: +49 - 911 - 6 88 07 25
 e-mail: info@teldat.de
 Internet: www.teldat.de