

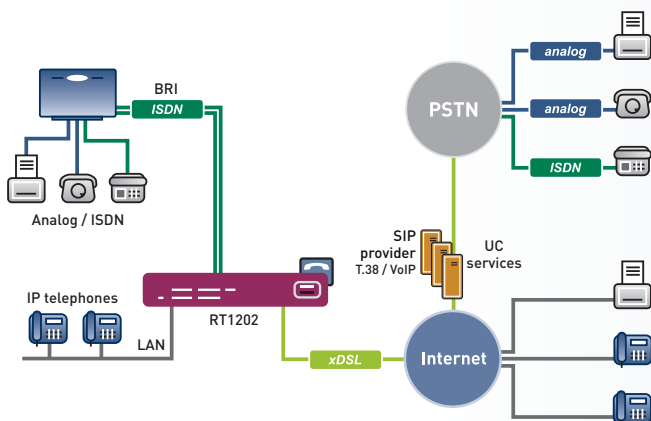
## Application Sheet

# Unified Communications with classical ISDN PBXs

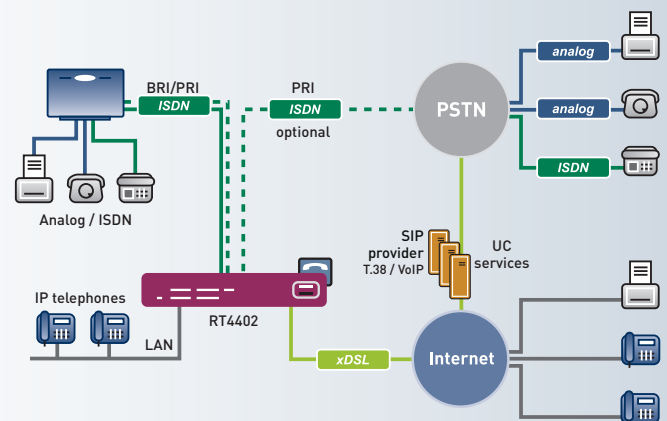
### Benefits / Highlights:

- ▶ T.38 and T.30 fax support (via Remote CAPI)
- ▶ Media gateway and router in one device
- ▶ Dedicated VoIP hardware incl. DSP support for high quality voice transmission

VoIP has long since arrived in modern office communication and many users telephone via VoIP without even realizing it. But unification of the IP and PBX networks offers far greater benefits than simply phoning on the Internet. Unified Communications (UC) is the watchword that has captivated the specialist press and congresses of late. Not a great deal is required to introduce a Unified Communications solution in a company: A VoIP PBX, IP phones (or clients), as well as a SIP provider. But what do you do if you wish to keep your existing telecommunications infrastructure, but still use the options Unified Communications has to offer?



Media Gateway RT1202



Media Gateway RT4402

- ▶ Call number manipulation
- ▶ SIP trunking
- ▶ Cost-effective SIP migration
- ▶ No downtime during reconfiguration
- ▶ The look and feel of the voice applications (phone, fax) remain
- ▶ Perfect interaction for Unified Communication
- ▶ Sending and receiving fax
- ▶ Redundancy for security and high availability

### Solution:

The bintec media gateways really are the "gateway" to the unified communications world. Because the devices are used in place of the ISDN trunk line and route calls via the SIP provider. The existing telecommunications infrastructure neither has to be expanded nor modified. At the same time, it is possible to replace old ISDN phones with IP phones or soft clients – keyword 'soft migration'. Your existing infrastructure can continue to be used with the advantages of the SIP provider. Here it is possible to completely replace your ISDN-S0 trunk line (BRI) or your S2M trunk line (PRI) with SIP or to use both connections in parallel (during the transition period). The possibility of using ISDN and SIP simultaneously by means of a fallback mechanism excludes all risks. Our Teldat application workshop, located in the download section of the related product, guides you step-by-step to your solution.

Application Sheet  
**Unified Communications  
 with classical ISDN PBXs**



**FAX MEDIA  
 GATEWAYS:**



**bintec RT1202 / RT3002 /  
 RT4202 / RT4402**

Multimedia fax gateway and router  
 in one device

- ▶ RT1202: The flexible media gateway
- ▶ RT3002: The media gateway with ADSL 2+ modem for Annex A and B
- ▶ RT4202: The media gateway with 4 x FXS internal
- ▶ RT4402: Media Gateway with PRI
- ▶ CAPI server virtualisation + fax G3
- ▶ VoIP and fax over IP (T.38)
- ▶ 19-inch housing with integrated power supply
- ▶ 10 (opt. up to 110) VPN tunnels with IPSec, PPTP, support of certificates
- ▶ Hardware acceleration
- ▶ Configuration Interface with integrated assistants
- ▶ Stateful Inspection Firewall
- ▶ SIP Application Level Gateway
- ▶ Device redundancy with BRRP
- ▶ Connection to RADIUS server
- ▶ Variably applicable with Ethernet WAN (separable 4+1 port switch)

Fax Media Gateways	bintec RT1202	bintec RT3002	bintec RT4202	bintec RT4402
Art. no.	5510000228	5510000229	5510000231	5510000232
ISDN BRI and FXS	2 x BRI	4 x BRI	4 x BRI + 4 FXS internal	2 x BRI + 2 x PRI
DSP	4 channels	8 channels	12 channels	60 channels
Ethernet Switch	5 x Gigabit Ethernet	5 x Gigabit Ethernet	5 x Gigabit Ethernet	5 x Gigabit Ethernet
Fax over IP (T.38)	4	8	8 + 4	30 (opt.)
Fax G3 (T.30)	4	8	8	30 (opt.)

**OPTIONS AND  
 LICENSES:**

**Fax functionality extension**

Licence to enable T.30/T.38 fax functionality of the DSP30 module for RT4402

- ▶ Name: RTxx02-S2M-FAX
- ▶ Art. no. 5500000784

Teldat GmbH  
 Suedwestpark 94  
 90449 Nuremberg, Germany  
 Phone: +49 - 911 - 96 73-0  
 Fax: +49 - 911 - 6 88 07 25  
 e-mail: info@teldat.de  
 Internet: www.teldat.de