

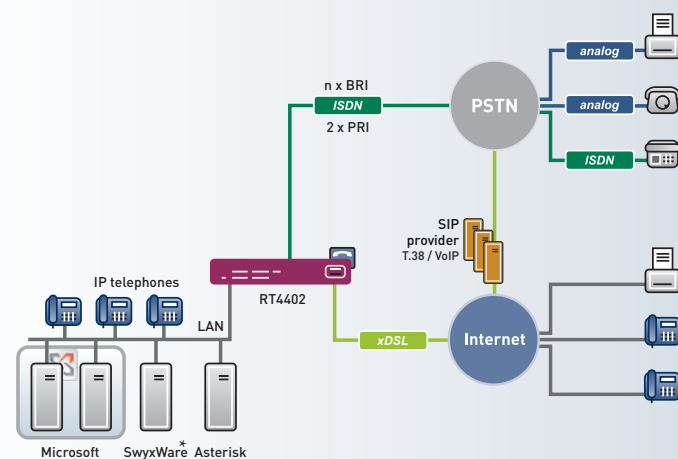
Application Sheet

VoIP PBXs at the ISDN Connection

Those who are faced with procuring a new PBX often ask themselves the question: "ISDN or VoIP already?" Many would like to decide for VoIP, but don't want to be without the still unparalleled reliability of ISDN. It does not matter which VoIP PBX (Windows Soft PBX or Asterisk system) or which SIP provider you choose. The questions asked are almost always the same:

- ▶ How do I connect the VoIP PBX to the ISDN trunk line?
- ▶ Where do I connect my fax machine?
- ▶ Is the reliability of the VoIP provider high enough today to put one's trust in it as a company in the future?
- ▶ Is there a fallback from SIP provider to the ISDN trunk line?

These question could not be satisfactorily answered previously. Previously!



RT4402 Media Gateway – VoIP PBX

Benefits / Highlights:

- ▶ Expandable gateway
- ▶ T.38 and T.30 fax support (via Remote CAPI)
- ▶ Media gateway and router in one device
- ▶ Dedicated VoIP hardware incl. DSP support for high quality voice transmission
- ▶ Call number manipulation
- ▶ SIP trunking
- ▶ Increased security with parallel use of VoIP and ISDN
- ▶ Multi-stage fallback
- ▶ Perfect interaction for Unified Communication
- ▶ Sending and receiving fax
- ▶ Redundancy for security and high availability

Solution:

The bintec media gateways really are the "gate" from VoIP to ISDN and vice versa. Because the gateways are coupled between the VoIP PBX and the ISDN trunk line and route calls accordingly. Here the media gateways support up to 4 * BRI or 2 * PRI per device. Given a greater demand for connections, several gateways can also be operated in parallel. With bintec media gateways, you can utilize the new opportunities of IP-based communication and, at the same time, trust the security and reliability of ISDN. Every PBX extension can be allocated the desired permanent provider. Rules can be used to set up multi-stage fallback scenarios which automatically revert to ISDN in case of overload or failure of the VoIP lines. The T.38 support in the media gateway gives you additional security. Not only that you can connect your fax machine or your fax server directly to the media gateway despite using a T.38 SIP provider, it also converts the T.38 fax from your UC system and forwards it as T.30 fax via the ISDN trunk line. The Teldat application workshop, located in the download section of the related product, guides you step-by-step to your solution.

FAX MEDIA GATEWAYS:



bintec RT1202 / RT3002 / RT4202 / RT4402

Multimedia fax gateway and router in one device

- ▶ RT1202: The flexible media gateway
 - ▶ RT3002: The media gateway with ADSL 2+ modem for Annex A and B
 - ▶ RT4202: The media gateway with 4 x FXS internal
 - ▶ RT4402: Media Gateway with PRI
 - ▶ CAPI server virtualisation + fax G3
 - ▶ VoIP and fax over IP (T.38)
- ▶ 19-inch housing with integrated power supply
 - ▶ 10 (opt. up to 110) VPN tunnels with IPSec, PPTP, support of certificates
 - ▶ Hardware acceleration
 - ▶ Configuration Interface with integrated assistants
 - ▶ Stateful Inspection Firewall
 - ▶ SIP Application Level Gateway
 - ▶ Device redundancy with BRRP
 - ▶ Connection to RADIUS server
 - ▶ Variably applicable with Ethernet WAN (separable 4+1 port switch)

Fax Media Gateways	bintec RT1202	bintec RT3002	bintec RT4202	bintec RT4402
Art. no.	5510000228	5510000229	5510000231	5510000232
ISDN BRI and FXS	2 x BRI	4 x BRI	4 x BRI + 4 FXS internal	2 x BRI + 2 x PRI
DSP	4 channels	8 channels	12 channels	60 channels
Ethernet Switch	5 x Gigabit Ethernet	5 x Gigabit Ethernet	5 x Gigabit Ethernet	5 x Gigabit Ethernet
Fax over IP (T.38)	4	8	8 + 4	30 (opt.)
Fax G3 (T.30)	4	8	8	30 (opt.)

OPTIONS AND LICENSES:

Fax functionality extension

Licence to enable T.30/T.38 fax functionality of the DSP30 module for RT4402

- ▶ Name: RTxx02-S2M-FAX
- ▶ Art. no. 5500000784

Teldat GmbH
 Suedwestpark 94
 90449 Nuremberg, Germany
 Phone: +49 - 911 - 96 73-0
 Fax: +49 - 911 - 6 88 07 25
 e-mail: info@teldat.de
 Internet: www.teldat.de